

HUMBERT & POL

Förderanlagen - Conveying Systems



BIG-BAG Filling and Discharge Stations

- ✓ FLEXIBLE - CUSTOMISED DESIGN TO MEET INDIVIDUAL NEEDS
- ✓ STURDY – EASY TO MAINTAIN
- ✓ UP AND DOWNSTREAM CONVEYOR TECHNOLOGY



Customer lead design

Safe filling and discharge of all BIG-BAG sizes with or without inner liner, for free flowing, cohesive, dusty or abrasive products. **HUMBERT & POL** work closely with you to develop a customised solution. **HUMBERT & POL**'s engineers will customise our filling and discharge stations to meet future service requirements and can expand them by the addition of a wide variety of components.

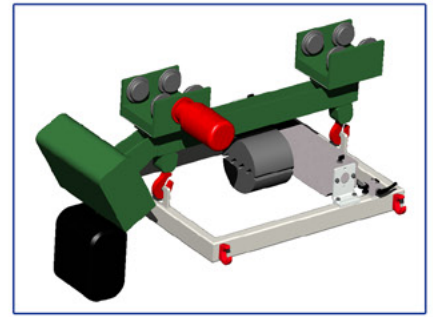
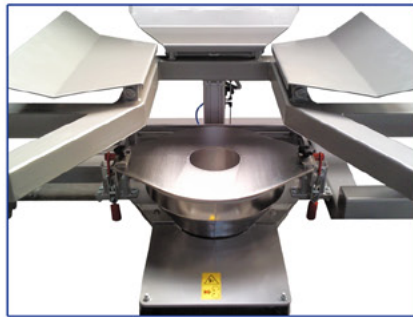
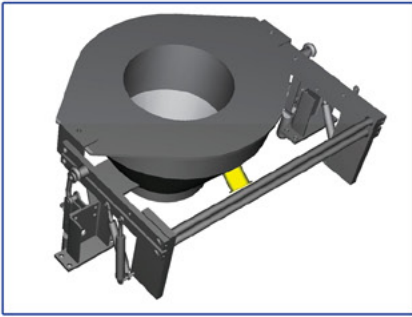
Easy to handle

Designed to suit the site of the installation and to the fill product, **HUMBERT & POL**'S BIG-BAG filling and discharge stations provide a dust-free service, discharging and filling almost all bulk materials in powder or granular form in commercially available sizes.



Designed to suit the site of the installation and to the fill product, **HUMBERT & POL**'S BIG-BAG filling and discharge stations provide a dust-free service, discharging and filling almost all bulk materials in powder or granular form in commercially available sizes.

Available Models



HUMBERT & POL offers suitable BIG-BAG stations for practically all types of special applications and specific functions. The choice of materials of construction and components are dictated by the specific requirements of the product to be transported.

Options



Fig. Stainless steel machine with tubular design

HUMBERT & POL's filling and discharge stations make it fundamentally easy to integrate into an up or downstream conveyor technology. Together with special features, such as dust-free docking and double pipe systems or, in the case of non-dusty products, discharge into a collection container, the stations may be designed with many additional options.

- Portal design with chain hoist
- Traverse unit for chain hoist
- Residue drawdown by means of automatic re-tensioning mechanisms
- Pneumatic winding device for extraction of inner liner
- Pneumatic discharge aid

The following extras are also available:

- Weighing
- Extension with a manual loading station for sacks, boxes, etc.
- Filling stations with vibratory plate for optimum fill
- Localised loading gears for loading by forklift
- Execution in accordance with ATEX 94/EC

Do you have any enquiries?

Don't hesitate to contact us.

Telephone: +49 (0)5225 - 86 316 - 0

Fax: +49 (0)5225 - 86 316 - 99

info@humbertundpol.com

HUMBERT & POL

